

#### Features

- Single bowl.
- 9-1/2" depth provides generous workspace.
- Includes one faucet hole and option for three additional holes for knockout with ball-peen hammer and punch.
- Includes cutout templates.
- Includes K-6109 bottom sink rack.
- Optional K-5376 bottom sink rack (sold separately).

#### Material

- KOHLER Neoroc® composite is durable and built to withstand day-to-day cleaning tasks.
- Matte finish offers rich, dimensional color.
- Solid color throughout the sink.
- Heat-resistant up to 750°F.
- Scratch, stain, chip, and thermal-shock resistant.

#### Installation

- 36" minimum base cabinet width for undermount or top-mount installation.
- Top-mount or undermount.

#### Recommended Products/Accessories

- K-5376 Sink Rack
- K-6109 Sink Rack
- K-8801 Sink drain and strainer with tailpiece
- K-8799 Sink drain and strainer basket
- K-23726 Drain treatment
- K-23730 Neoroc® cleaner

#### Optional Products/Accessories

- K-11352 Disposal Flange with Stopper
- K-9000 P-Trap

#### Included Components

- Additional Components:  
K-6109



#### Codes/Standards





CSA B45.5/IAPMO Z124

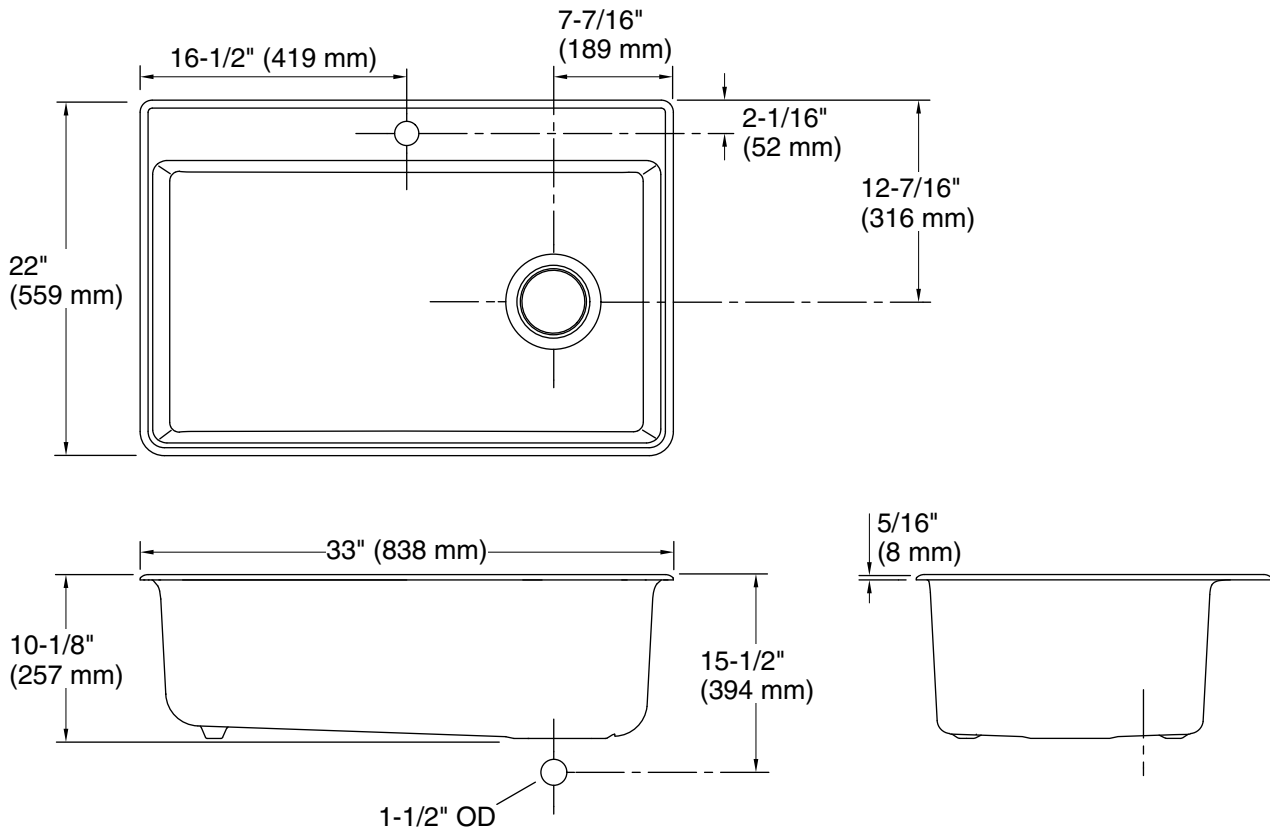
#### KOHLER® Neoroc® Sinks Lifetime Limited Warranty

See website for detailed warranty information.

#### Available Colors/Finishes

*Color tiles intended for reference only.*

| Color   | Code | Description    |
|---|------|----------------|
|  | CM7  | Matte Graphite |
|  | CM1  | Matte Black    |
|  | CM2  | Matte Brown    |
|  | CM3  | Matte Taupe    |



### Technical Information

All product dimensions are nominal.

|                          |  |
|--------------------------|--|
| Installation:            | Under-mount, Top-mount   |
| Min. base cabinet width: | 36" (914 mm)   |
| Bowl area:               | Length: 33-1/8" (841 mm)<br>Width: 16-15/16" (430 mm)<br>Bowl depth: 9-1/2" (241 mm)<br>Water depth: 9-1/2" (241 mm) |
| Drain hole:              | 3-7/8" (98 mm)   |
| Template:                | 1281757-7, required, included  |

### Notes

Install this product according to the installation instructions.